

DESIGN PCB

UNITED LIGHTING STANDARDS, INC.

23171 Groesbeck Hwy. • Warren, MI 48089

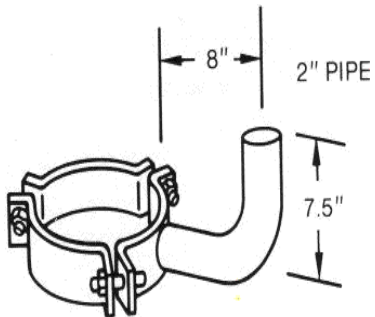
Tel: 586/774-5650

FAX: 586/774-5706

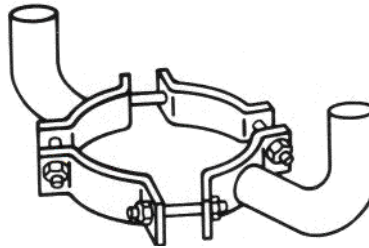
Series PCB Pole Top Floodlight Mounting Brackets are constructed of steel with 2 inch pipe size nipples. Series PCB brackets are easily clamped on 6-inch and 12-inch wooden poles. Maximum capacity is one to four 1000 watt floodlights. Each PCB bracket is complete with clamping bolts and nuts. Brackets are finished to match pole.

Catalog No.	Description
Brackets For 6" to 12" Poles	
PCB-1	For 1 floodlight
PCB-2	For 2 floodlights
PCB-3	For 3 floodlights
PCB-4	For 4 floodlights
Wall Mount Bracket	
PWB-1	For 1 floodlight or 2 floodlights when used with the PTB-2 bracket.

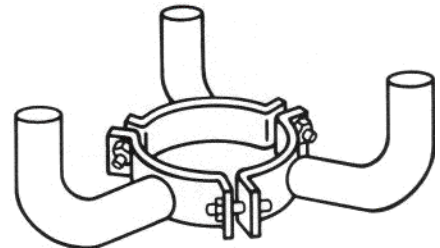
Series PWB-1 Pole Top Mounting Bracket is a combination wall and wood pole mounting bracket constructed of steel pipe and rugged steel plate. Two 10-inch bolts with washers and nuts are furnished. Brackets are finished to match poles.



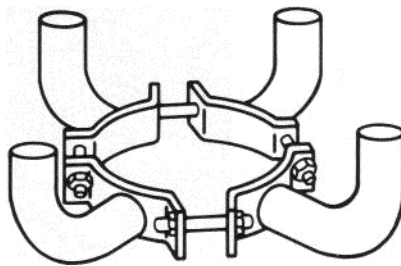
PCB-1



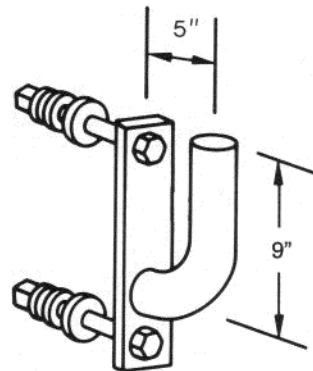
PCB-2



PCB-3



PCB-4



PWB-1

Mounting Brackets for Wood/Steel Poles