

# Design PTB

## UNITED LIGHTING STANDARDS, INC.

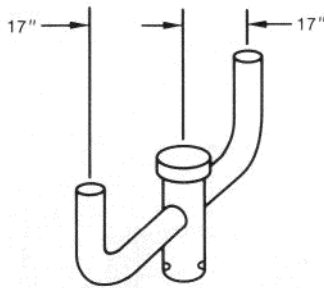
23171 Groesbeck Hwy. • Warren, MI 48089  
 Tel: 586/774-5650 FAX: 586/774-5706

Series PTB Pole Top Floodlight Mounting Brackets slip fit 2-inch pole tops. Tenons are 2-inch pipe size. Each bracket has a maximum capacity of two, three, or four 1000 watt floodlights, depending on style or mounting configuration. Fitters for 3 inch and 4-inch tenons are available. Brackets are finished to match pole.

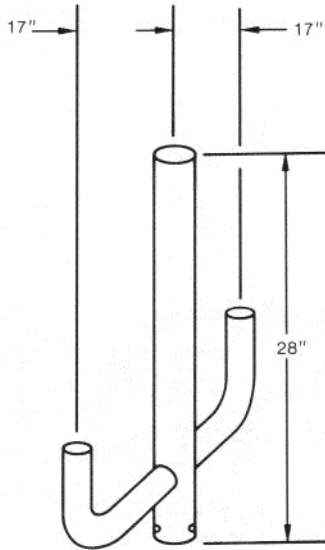
Catalog No.	Description	EPA
PTB-2	For 2 floodlights	1.0
PTB-3	For 3 floodlights	1.4
PTB-3 (120°)	For 3 floodlights	1.3
PTB-4	For 4 at 90°	1.6
PTB-430	For 4 inline	2.4

Note: Include bracket EPA with fixture EPA when selecting pole.

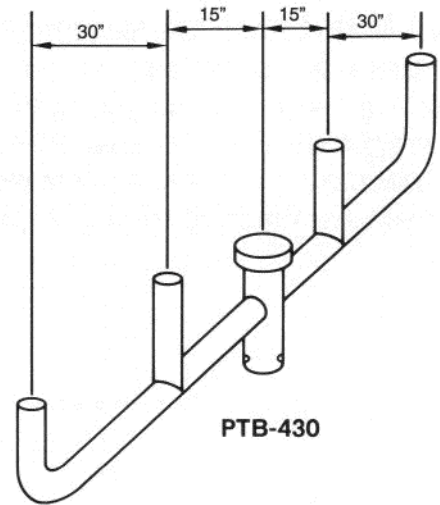
Brackets cataloged are of steel and are designed for use on steel and aluminum poles. If aluminum brackets are required for aluminum poles, contact your representative.



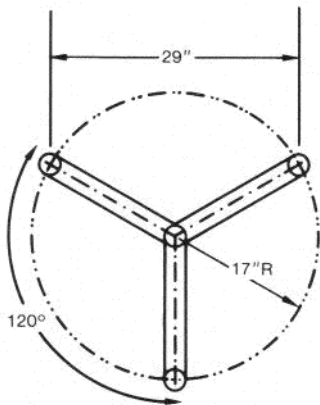
PTB-2



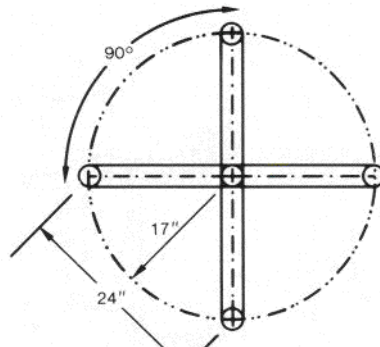
PTB-3



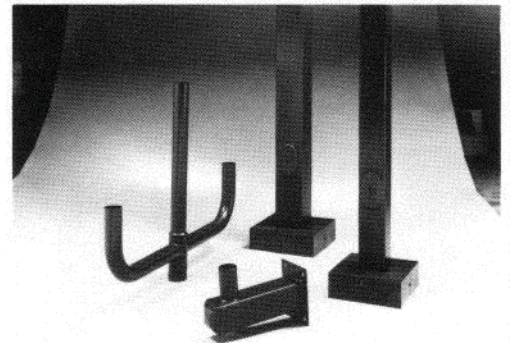
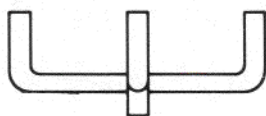
PTB-430



PTB-3 120°



PTB-4



### Post Top Bullhorn-Type Brackets