

DESIGN SSHP

UNITED LIGHTING STANDARDS, INC.

23171 Groesbeck Hwy. • Warren, MI 48089

Tel: 586/774-5650

FAX: 586/774-5706



Pole Shaft Specifications

The pole shaft's two section design is fabricated from United States standard coil stock. It is a weldable grade hot rolled commercial quality carbon steel with a guaranteed minimum yield strength of 46,000 psi after fabrication. Each section is a one-piece construction with a full-length longitudinal resistance weld and is square in cross-section.

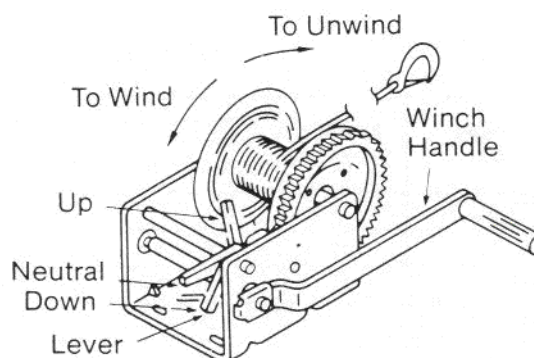
Winch

A portable, lowering winch is required with hinged poles and should be ordered as a separate item.

Base Plate Cover

A full base cover is supplied. The base cover is made of automotive structural grade ABS plastic with UV inhibitor to eliminate color fading. It is rust proof and tamper resistant.

Winch #LW



Square Straight Steel Hinged Poles

Catalog No.	Mounting Height (Ft.)	Effective Projected Area (Sq. Ft.)				Shaft Size Sq. (") x Ga.		Bolt Circle (")	Bolt Size (")	Base Plate Size (L x W x Ht)
		80	90	100	120	Butt (")	Top (")			
SSHP-20-4-7	20	13.5	10.8	9.3	6.9	4 x 7	4 x 11	9.5	.75 x 28	10 x 10 x .75
SSHP-20-5-7	20	24.4	19.3	15.2	9.4	5 x 7	5 x 11	11.0	1 x 40	11 x 11 x 1
SSHP 24-4-7	24	9.5	7.7	6.1	3.8	4 x 7	4 x 11	9.5	.75 x 28	10 x 10 x .75
SSHP-24-6-7	24	25.2	18.6	14.3	8.6	6 x 7	6 x 7	11.5	1 x 40	12 x 12 x 1
SSHP-30-4-7	30	4.5	3.5	2.9	1.9	4 x 7	4 x 11	9.5	.75 x 28	10 x 10 x .75
SSHP 30-6-7	30	19.0	14.0	10.8	6.4	6 x 7	6 x 7	11.5	1 x 40	12 x 12 x 1
SSHP-35-6-7	35	12.1	7.0	3.6	N/A	6 x 7	6 x 7	11.5	1 x 40	12 x 12 x 1

*EPA ratings include 1.3 gust factor.

Anchor Bolts should be set using factory supplied anchor bolt templates.

Square Straight Steel Hinged Poles 20-35 Ft.